

OTHER PRODUCTS

security systems

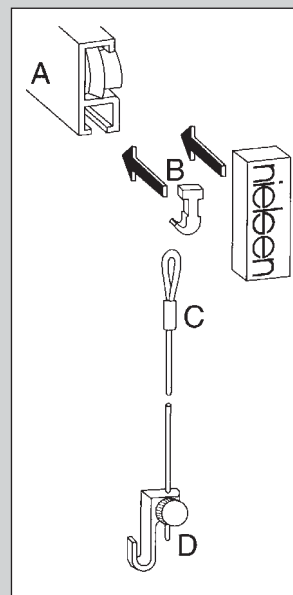
| code | description |
|------|---|
| SS1 | Complete fixing set for double plate aluminium frame |
| SS2 | Complete fixing set for single plate aluminium frame |
| SS3 | Double Plate Security Set with top hangers |
| SS4 | Single Plate Security Set with top hangers |
| SSW | Complete fixing set for wood frame (inc. adaptor plates) |
| SPA | Security fixing spanner |
| H08 | Security Set with Spring System – Double Plate (includes individual security spanner) |
| H16 | Security pack for Nielsen Aluminium readymade frame |
| SCR1 | Double plate/wood security screw only |

| | |
|---------|--|
| SCR2 | Single plate security screw only |
| S/Plate | Security wood screw adaptor plate only |
| S/PSCR | Adaptor palte retaining screw only |
| S/Plug | Security screw wall plug only |
| R/SCR | Ready made security screw only |
| R/CAM | Readymade security Camm-single |
| R/Plug | Ready made security large wall plug only |
| 51707 | Top Hanger – Double plate |
| 51708 | Top Hanger – Single Plate |

gallery hanging system

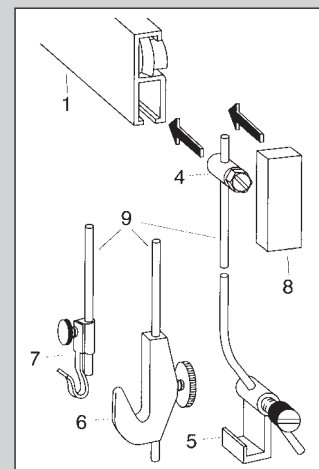
| code | description |
|--------|---|
| NT1 | Top Track 1.95 metre length (includes fixing brackets) |
| NT3 | Top Track 3.0 metre length (includes fixing brackets) |
| NT1E | Economy Top Track 1.95 metre length (includes fixing brackets) |
| NT3E | Economy Top Track 3.0 metre length (includes fixing brackets) |
| NT3EFS | Economy Top Track, Frosted Silver, 3.00 metre length (inc. fixing brackets) |
| NC | Nylon Downhanger 2.0 metres (including track slide) |
| NSC | Stainless Steel Wire Downhanger 2.0 metres (includes track slide) |
| NQ | Nylon Downhanger with loop, 2 metres. For use with snap in track hook |
| NV | Steel Downhanger with loop, 2 metres. For use with snap in track hook |
| NP | Regular Picture Hook |
| NL | Heavy Duty Picture Hook |
| NH | Aluminium Picture Hook |
| NM | Medium Duty Picture Hook |
| NX | Snap in Track Hook. For use on economy and regular track |
| NZ | Connecting piece for two sections of top track |
| NGWC | Top Track Fixing Bracket and Washer |
| NE | End cap for Top Track |

NOTE: The regular nylon downhanger (NC) and the regular steel downhanger (NSC) will not fit the economy top track. The economy track must use the snap in track hook (NX) and the downhanger with loops (NQ, NV).



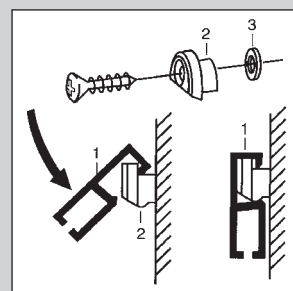
economy system

- A Economy Top Track
- B Snap in Track Hook
- C Downhanger With Loop
- D Medium Duty Picture Hook



regular system

- 1 Top Track
- 2 Track Fixing Bracket
- 3 Track Fixing Bracket Washer
- 4 Track Slide
- 5 Aluminium Adjustable Hook
- 6 Heavy Duty Steel Adjustable Hook
- 7 Regular Steel Adjustable Hook
- 8 Track End Cap
- 9 Downhanger



wall mounting

C&H blades

| code | description | unit |
|---------|---|------------|
| C1200 | For all standard Mountboards | Box of 100 |
| C1200SE | Single Edge for all Boards (including rag and conservation) | Box of 100 |
| C1500 | Heavy Duty Blade | Box of 100 |
| C1500SE | Single Edge Heavy Duty Blade especially suitable for cutting thicker boards | Box of 100 |

C&H oval master blades

| code | description | unit |
|------|---|-----------|
| OT03 | Stub Knife, 9° Bevel Cut (for ovals under 5" x 7") | 1 |
| OT04 | Stub Knife, Straight Cut (for inlays and ovals under 5" x 7") | 1 |
| OT05 | Bevel Stem with Blade, 37° | 1 |
| OT06 | Straight Stem with Blade | 1 |
| OT08 | Replacement Blades for OT5 & OT6 | Pack of 6 |

OTHER PRODUCTS

Undercover – Professional Display Frames

Undercover Frames are front opening frames for displays and notices that need to be changed regularly. The frame is in two parts, an inner frame which is screwed to the wall, door or any suitable flat surface, and an outer frame which simply clips over the inner frame allowing the contents to be changed quickly and with no tools required.

Undercover Frames come with styrene facing only. Undercover frames are also available with a 'security' fitting so that in more public or high traffic areas the front of the frame can be removed only with the use of a security spanner supplied. This fitting requires a special order of frames.

Undercover Frames – Stock Lines

| ref | description | size |
|----------|-----------------------------------|------|
| RU432104 | Undercover Classic Frosted Silver | A4 |
| RU432304 | Undercover Classic Frosted Silver | A3 |
| RU434104 | Undercover Classic Frosted Silver | A2 |
| RU435604 | Undercover Classic Frosted Silver | A1 |

Undercover Frames – Special Order Colours

Undercover Frames are also available in the following colours by special order with a minimum of 25 frames per size and finish. Polished Black, Polished Silver and Polished Gold. Allow 4-6 week lead time.

Undercover Frames – Special Order Security System

Undercover Frames can be ordered with a simple invisible security system built into each frame allowing removal of the front of the frame only for holders of the special security spanner. A security spanner is included with each frame ordered with fitting. The security fitting cannot be retro-fitted to existing Undercover frame stock and is available by special order only with a minimum of 25 frames per size and finish. Allow 4-6 week lead time.

terms and conditions of sale

General

Unless otherwise agreed in writing the following terms and conditions shall govern the sale of goods by Nielsen U.K ("The Company") to the exclusion of any other terms and conditions.

Carriage

All orders over £125 nett value are delivered carriage free on UK Mainland on standard 2 day delivery. For all orders below £125 nett value, carriage is charged at £10 for standard 2 day delivery. For all orders which include readymade frames see separate carriage levels below.

Carriage upgrade options*

| | |
|----------------------|-----|
| Next Day Delivery | £10 |
| Next Day before noon | £15 |
| Next Day before 10am | £20 |

*Subject to availability

Chop Service

All chop service orders of five frames or more (same frames or mixed) are delivered carriage free on UK mainland on standard 2 day delivery (order before 12 noon for 2 day delivery on chop frames). For all orders less than 5 frames, carriage is charged at £6.50 for standard 2 day delivery.

Carriage upgrade options**

| | |
|----------------------|-----|
| Next Day Delivery | £10 |
| Next Day before noon | £15 |
| Next Day before 10am | £20 |

**Subject to availability

Readymade Frames and Clipframes

NIELSEN BRAND READYMADES – For all orders, including mixed product orders, which include Nielsen brand readymade frames, orders over £150 nett value are delivered carriage free on standard 3 day delivery service. For all orders below £150 nett value, carriage is charged at £10 for standard 3 day delivery.

STARFISH BRAND READYMADES AND CLIPFRAMES – For all orders, including mixed product orders, which include Starfish brand readymade frames or clipframes, orders over £250 nett value are delivered carriage free on a standard 3 day delivery service. For all orders below £250 nett value, carriage is charged as follows:

| | |
|-----------------------------|-----|
| Nett order value £150–£245 | £10 |
| Nett order value below £149 | £25 |

Carriage upgrade options***

| | |
|----------------------|-----|
| Next Day Delivery | £15 |
| Next Day before noon | £25 |
| Timed Delivery £10 | |
| Handball Delivery | £10 |

***Subject to availability

London Van Deliveries

All Nielsen van deliveries to London Postal Districts are charged at £2.50 per delivery.

Offshore Deliveries

Chop orders over £100 are delivered carriage free
 Boxed orders over £250 are delivered carriage free
 Pallet orders over £350 are delivered carriage free
 For orders to offshore destination below these values carriage is charged as follows:
 Chop only – £25
 Boxed – £35
 Pallet – £75

Mountboard minimum quantities

To minimise the risk of damage the minimum order for mountboard is 10 sheets mixed. No back-orders for mountboard will be held for quantities below 10 sheets.

VAT prices shown exclude VAT which shall be charged at the current rate on goods and carriage.

Payment

(a) Payment shall be made by the Customer to the Company by the end of the month following the month of invoice.
 (b) The time for payment shall be of the essence of the contract.

(c) Where payment by the customer in respect of any invoice is outstanding the Company reserves the right, without prejudice to any other right of action which it may have, at its option to suspend deliveries under such contract and/or to charge the Customer interest on a daily basis at a rate of 2% per month on the overdue amount.

Orders

All orders must state clearly the exact description and quantity of goods ordered by the Customer. An order once placed cannot be cancelled by the Customer and no returns will be accepted save by mutual agreement and then only on terms which will fully indemnify the Company.

Prices

(a) The prices stated on the Company's price lists are the current Trade prices and are subject to revision without notice to the Customer. The price to be paid for the goods shall be based upon the prices in the price list current on the date upon which the goods are despatched.

(b) The prices stated in the price lists do not include VAT or delivery charges which will be added by the Company where appropriate.

Delivery

Any time or date for delivery named by the Company or the Customer is an estimate only and the Company shall not be liable for the consequences of any delay in delivering an order nor shall any delay be a ground for cancellation of the order or any other contract by the Customer.

Instalments

Where the Customer orders goods for delivery by instalments each delivery shall constitute a separate contract and the Customer shall not be entitled to refuse to take delivery or refuse to pay for any instalments on the grounds that any previous instalment was defective or otherwise not in conformity with the contract.

Title and Risk

(a) The Company shall not be liable for any risk to the goods after they have been delivered to the Customer or the carrier of the goods. If requested by the Customer insurance of the goods in transit can be arranged by the Company at additional cost.

(b) Title in the goods shall pass to the Customer on payment of the full amount of the relevant invoice and of any other outstanding invoice and until such time the Customer shall act as a fiduciary keeper of the goods on behalf of the Company, shall ensure that the goods are separately identifiable from goods supplied by other parties, and shall redeliver the goods to the Company should the Company so require.

Defects

(a) In respect of any defects in the goods no refund or replacement will be made unless the Customer notifies the Company in writing within 2 days of receipt of goods. The Customer shall return such goods to the Company for inspection. If any such goods supplied by the Company prove on inspection to be defective in material or workmanship the Company undertakes at its option to replace such goods or refund to the Customer the price thereof, but in no circumstances (except where limitation of liability is statutorily of no effect) will the Company's liability exceed the cost of replacement or the price paid by the Customer for the goods or include consequential loss damage or expense howsoever arising. This undertaking is given in place of and excludes all other warranties and conditions relating to quality and description whatsoever whether statutory or otherwise.

(b) Complaints by the customer in respect of goods alleged to be defective shall not be grounds for the Customer to withhold payment of amounts due to the Company and shall not give any right or set-off against payments due from the Customer to the Company.

Suitability

The Customer shall determine the suitability of the goods in the light of his intend use and the Company makes no warranty in relation to the suitability of the goods for a particular use and any express or implied warranty or condition (statutory or otherwise) is excluded insofar as legally permissible.

Alphamat is a registered trademark of Nielsen Bainbridge
 Nielsen is a registered trademark of Nielsen Bainbridge
 Bainbridge is a trademark
 MicroChamber is a trademark owned by and used with permission of Conservation Resources Inc.
 Patents are pending on the Alphamat/Alphamount Artcare technology
 "Artcare" is a trademark of Artcare (UK) Limited, used under licence by Nielsen & Bainbridge